

---

# CHARGING CABLE MODE 2 WITH TYPE J PLUG

CHARGING CABLE FOR ELECTRIC VEHICLES




MENNEKES Mode 2 charging cables are designed for charging electric and hybrid vehicles at a standard household connector

# Product features

- Charging cable mode 2 according to IEC 62752
- Charging power 1,8 kW
  
- Degree of protection IP 44 (with protection cap)
- Protection class IC-CPD IP 69k
  
- IC-CPD Module
- RCD Type A ( $I_{\Delta N} = 20 \text{ mA}$ ) + DC ( $I_{\Delta NDC} = 6 \text{ mA}$ )
- Multi-stage temperature management
- Automatic charge current reduction in the case of the Typ J plug or IC-CPD overheating
- Detection of incorrect PE wiring in the wall socket
- Automatic continuation of charging process after voltage recovery

# Technical data

Item	<b>35206100105</b>
Vehicle side	Type 2 
Charging mode according to IEC 61851	Mode 2
Infrastructure connector acc. to SEV 1011	Type J
Infrastructure cable length	1,5 m
Total cable length	8 m
Nominal voltage $U_n$	230 V AC
Nominal frequency	50 Hz
Rated Current	8 A, single-phase
Residual current circuit breaker (RCD)	Type A ( $I_{\Delta N} = 20\text{mA}$ ) + DC ( $I_{\Delta NDC} = 6\text{ mA}$ ) bipolar 1P+N
Charging power	1,8 kW
Ambient temperature	-40°C up to 50°C
Cable cross section [mm <sup>2</sup> ]	3 G 2,5 + 0,5
Protection class IC-CPD	IP 69k
Degree of protection	IP 44
Weight	2-4 kg (depending on version)

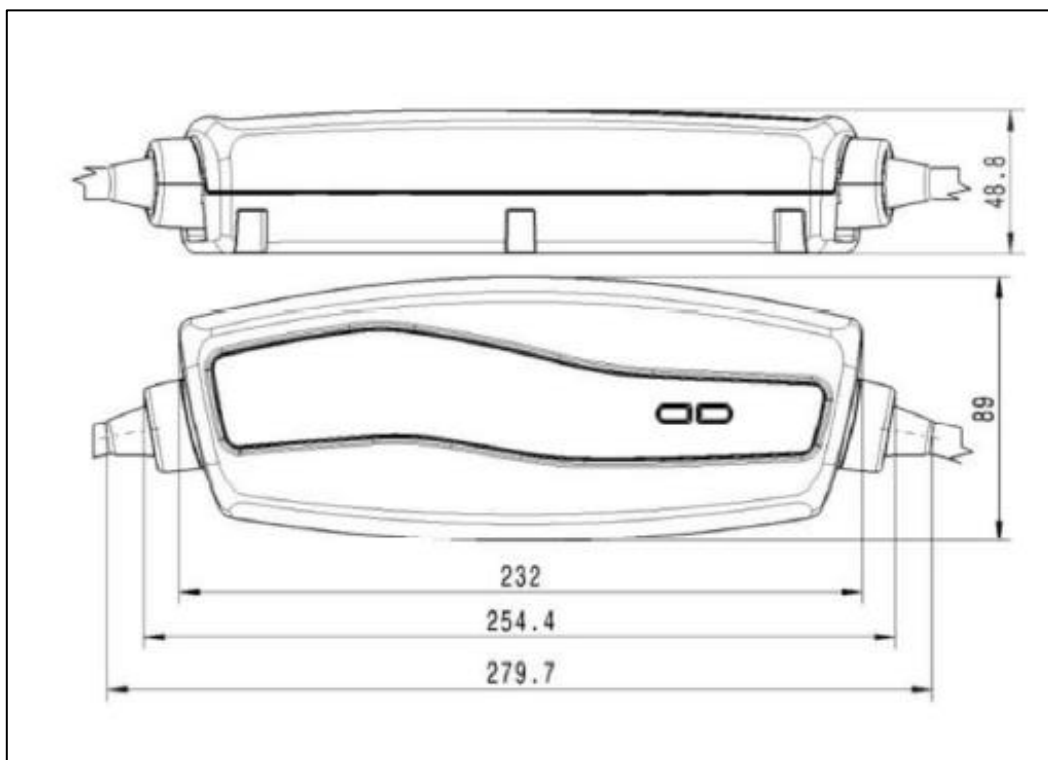
# Construction

Frontview CPD



A. Light-emitting diodes

# Dimensions [mm]



**MENNEKES**

Elektrotechnik GmbH & Co. KG

Aloys-Mennekes-Straße 1  
57399 KIRCHHUNDEM  
GERMANY

Phone: + 49 2723 41-1

Fax: + 49 2723 41-214

info@MENNEKES.de

[www.MENNEKES.com](http://www.MENNEKES.com)

[www.chargeupyourday.com](http://www.chargeupyourday.com)